

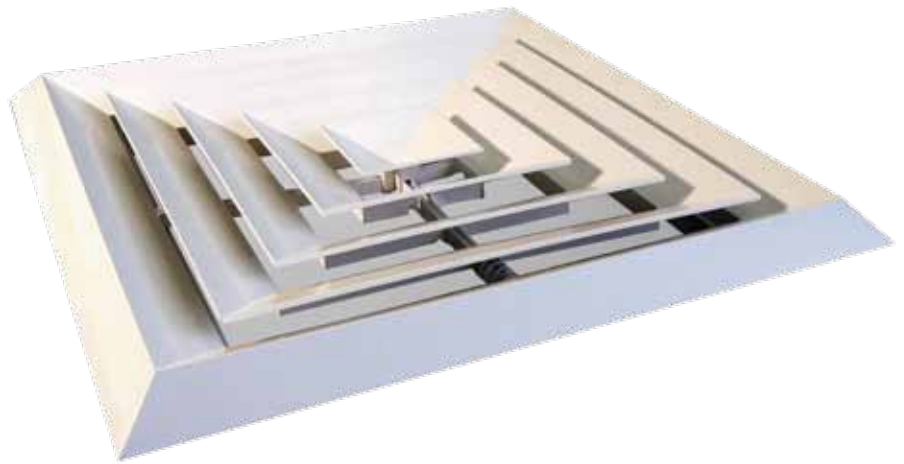
# Ceiling Diffuser Bevel Face

## Technical Specification Sheet

Ceiling Diffuser Bevel Face Range of Products

### Features

- Used for heating & cooling air distribution
- Ceiling mounted
- All aluminium construction
- Powdercoat finish
- Standard colour is white
- Removable core to aid in installation & cleaning
- Blanking plates, plasterboard frames, neck adaptors & reducers are available to suit



### Stock Sizes

CDBF4W150 (150 neck/300 face)

CDBF4W225 (225 neck/375 face)

CDBF4W300 (300 neck/450 face)

CDBF4W375 (375 neck/525 face)

CDBF4W450 (450 neck/595 face)

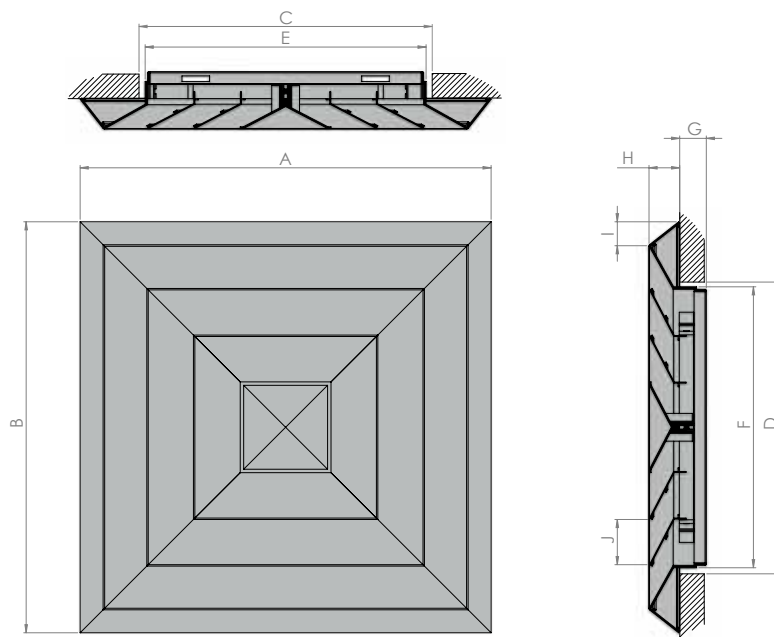
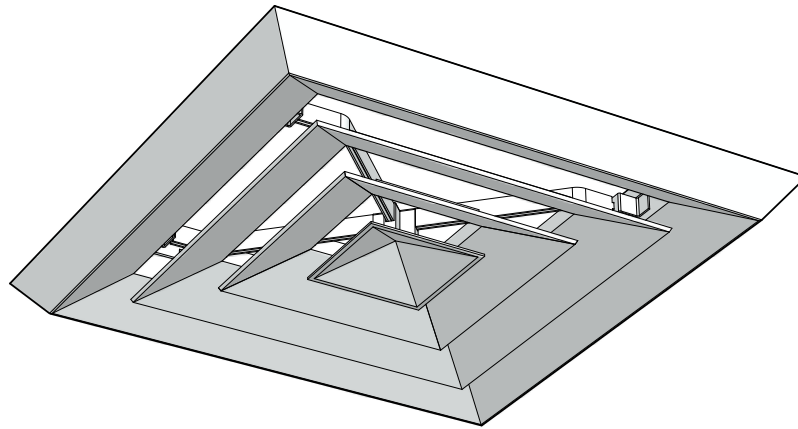
### Explanation of Part Number Structure

Product Group	Product Type		Size (A x B)
Ceiling Diffuser	Bevelled Face	4 Way Blow Pattern	150 x 150mm
CD	BF	4W	150
<b>CDBF4W150</b>			



\*Refer web site for details





**Product Dimensions**

PART NO.	FACE		NOMINAL NECK		EXACT NECK		PENETRATION DEPTH	FLANGE THICKNESS	FLANGE	PITCH
	A	B	C	D	E	F	G	H	I	J
CDBF4W150	264	264	150	150	145	145	31	25	25	13
CDBF4W225	340	340	225	225	220	220	31	25	25	13
CDBF4W300	414	414	300	300	295	295	31	25	25	13
CDBF4W375	487	487	375	375	370	370	31	25	25	13
CDBF4W450	562	562	450	450	445	445	31	25	25	13

*Drawing dimensions in millimetres*

