

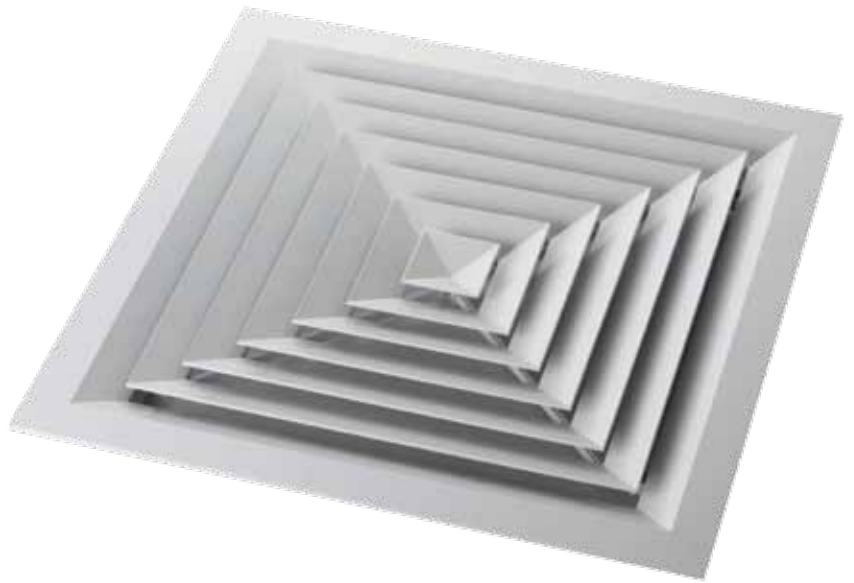
Ceiling Diffuser Flat Face

Technical Specification Sheet

Ceiling Diffuser Flat Face Range of Products

Features

- Used for heating & cooling air distribution
- Ceiling mounted
- All aluminium construction
- Powdercoat finish
- Standard colour is white
- Removable core to aid in installation & cleaning
- Complete with safety cable



Stock Sizes

CDF4W150 (150 neck/300 face)
CDF4W225 (225 neck/375 face)

CDF4W300 (300 neck/450 face)
CDF4W375 (375 neck/525 face)

CDF4W450 (450 neck/595 face)

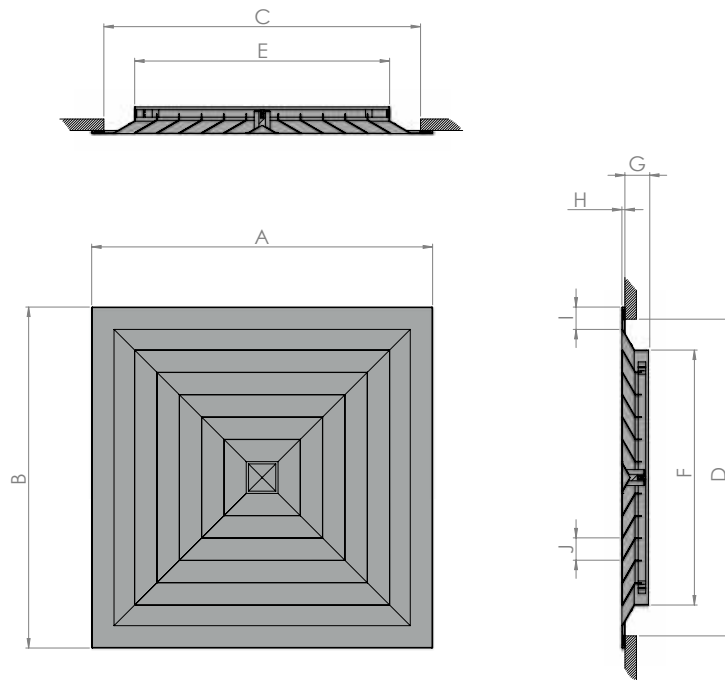
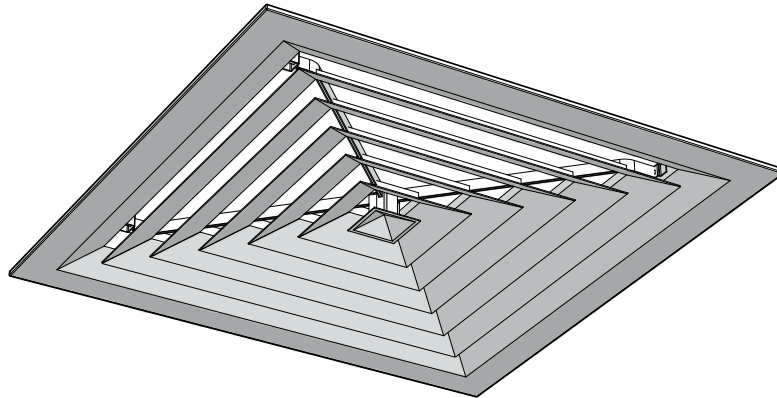
Explanation of Part Number Structure

Product Group	Product Type		Size (A x B)
Ceiling Diffuser	Flat Face	4 Way Blow Pattern	150 x 150mm
CD	FF	4W	150
CDF4W150			



*Refer web site for details





Product Dimensions

PART NO.	FACE		NOMINAL NECK		EXACT NECK		PENETRATION DEPTH	FLANGE THICKNESS	FLANGE	PITCH
	A	B	C	D	E	F				
CDF4W150	293	293	230	230	145	145	43	5.3	38	36
CDF4W225	368	368	300	300	220	220	43	5.3	38	36
CDF4W300	443	443	380	380	295	295	43	5.3	38	36
CDF4W375	518	518	450	450	370	370	43	5.3	38	36
CDF4W450	596	596	530	530	445	445	43	5.3	38	36

Drawing dimensions in millimetres

