

Curved Blade Diffuser Fixed Core

Technical Specification Sheet

Curved Blade Diffuser Fixed Core Range of Products

Features

- Used for multi-directional air flow
- Typically ceiling mounted
- Aluminium construction
- Powdercoat finish
- Standard colour is white
- Manually adjusted air flow
- Made to order in 1, 2, 3 or 4 way blow patterns



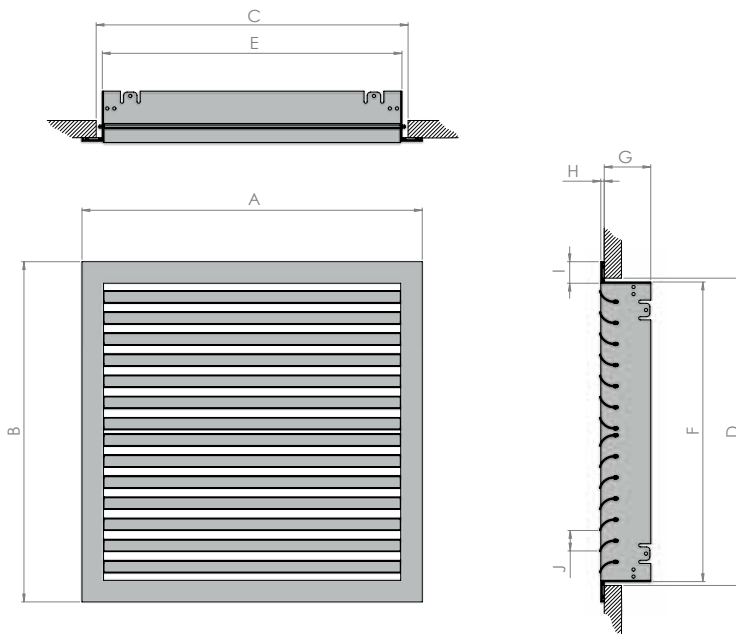
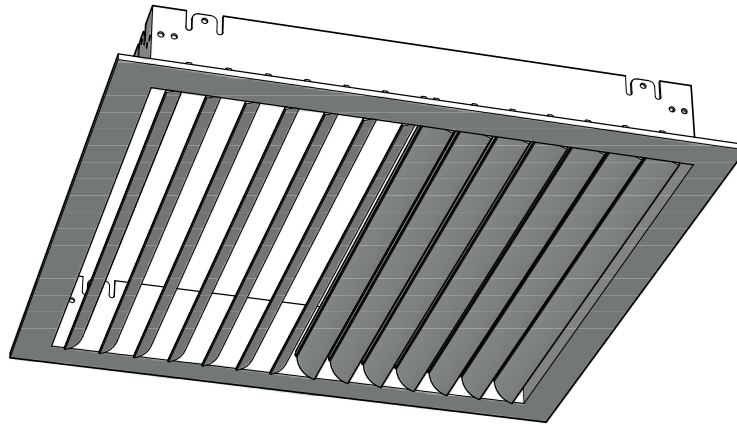
Common Sizes

CBD4WFC2020 (200 x 200mm)
 CBD4WFC2525 (250 x 250mm)
 CBD4WFC3030 (300 x 300mm)
 CBD4WFC3535 (350 x 350mm)

CBD4WFC4040 (400 x 400mm)
 CBD4WFC4545 (450 x 450mm)
 CBD4WFC5050 (500 x 500mm)
 CBD4WFC5959 (595 x 595mm)

Explanation of Part Number Structure

Product Group	Product Type	Size (A x B)
Curved Blade Diffuser	4 Way Blow Pattern	Fixed Core
CBD	4W	FC
CBD4WFC2020		



Product Dimensions

PART NO.	FACE		NOMINAL NECK		EXACT NECK		PENETRATION DEPTH	FLANGE THICKNESS	FLANGE	PITCH
	A	B	C	D	E	F				
CBD2WFC2020	232	242	200	200	185	195	54	4	25	25
CBD2WFC2525	282	292	250	250	235	245	54	4	25	25
CBD2WFC3030	332	342	300	300	285	295	54	4	25	25
CBD2WFC3535	382	392	350	350	335	345	54	4	25	25
CBD2WFC4040	432	442	400	400	385	395	54	4	25	25
CBD2WFC4545	482	492	450	450	435	445	54	4	25	25
CBD2WFC5050	532	542	500	500	485	495	54	4	25	25
CBD2WFC5959	595	595	563	553	548	548	54	4	25	25

Drawing dimensions in millimetres